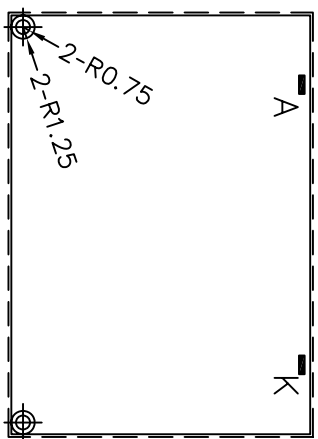
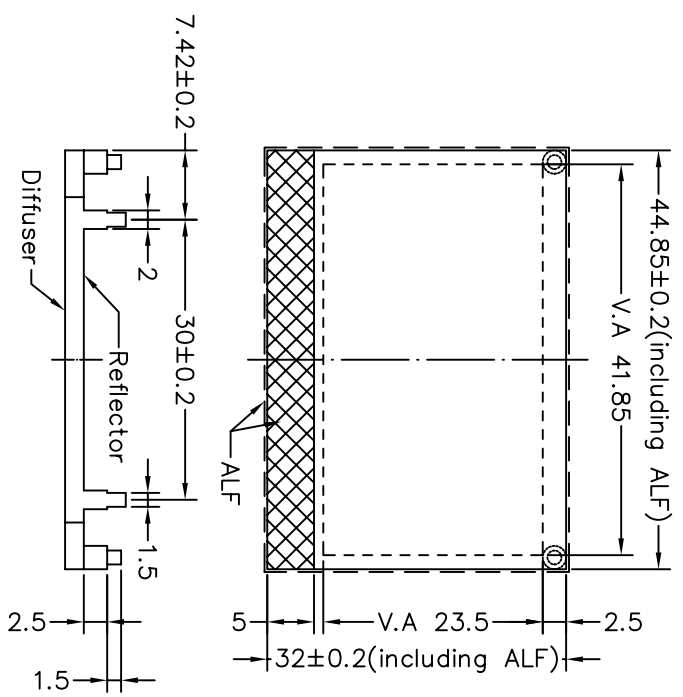
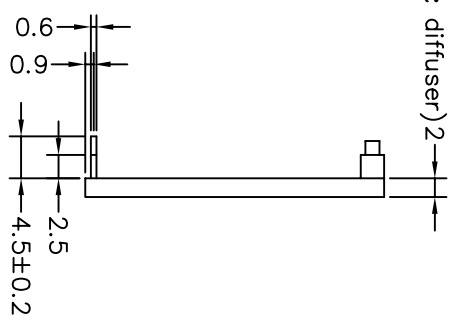


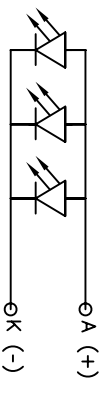
REV	REVISION RECORD	APPROVED
A	First Issue	
B	Modify design	

(including reflector & diffuser) 2



NOTES:

1. Forward current: $V_F=3.0V$ $I_F=10*3=30mA$ (typ.)
2. LED emission colour: Pure Green
3. Peak emission wavelength: 520nm
4. Brightness: 120cd/m² (typ.)
5. Operation temperature: -30° C ~ +70° C
6. Storage temperature: -40° C ~ +80° C
7. Lead free process
8. LED circuit:



Dev	1	2	3	4
0.1	0.05	0.1	0.1	0.2
0.2	0.05	0.1	0.1	0.2
0.3	0.05	0.1	0.1	0.2
0.4	0.05	0.1	0.1	0.2
0.5	0.05	0.1	0.1	0.2
0.6	0.05	0.1	0.1	0.2
0.7	0.05	0.1	0.1	0.2
0.8	0.05	0.1	0.1	0.2

SCALE	VERSION	DATE	PART NAME:
1/1	B	2011.01.13	TITLE:
APPROVED	CHECKED	DRAWN	FILE NAME: